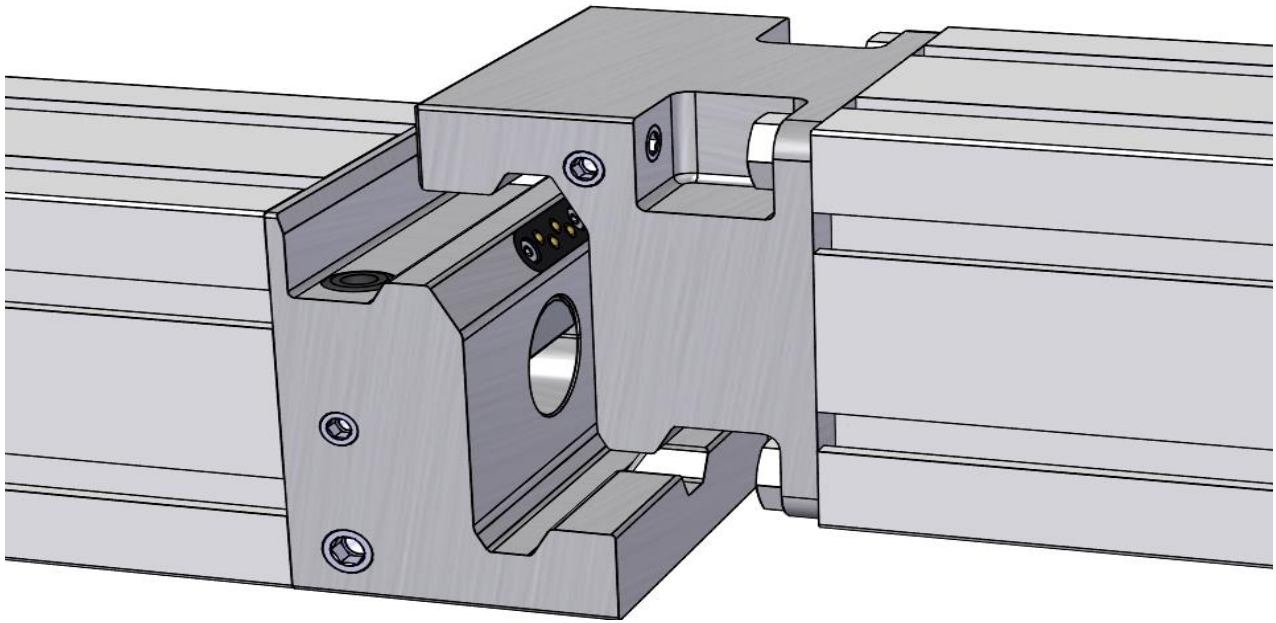


Hydraulic Gripper Rail Coupling HK 100 Series



Application

- for all punching & stamping presses
- for sheet metal and forging operations

Advantages

- **Minimal setup times due to**
 - automatic tool change
 - electrically monitored connection status
 - integrated pneumatic and electrical bus connections
 - from 8 mm lifting stroke (vertical)
 - highest repeatability
- **Optimal flexibility due to**
 - freely programmable pick-up and drop off paths
 - no interfering contours on the gripper rail
- **High transport quality due to**
 - low weight
 - high stiffness

Technical Data

Profile Coupling 100 x 100 mm

Electrical interface:

Communication	4 contacts
Current per contact	10 A
Voltage per contact	24 V

Pneumatic interface:

Cross-section	50,25 mm ²
Operating pressure	10 bar

Mechanical characteristics:

Transmitting torques Tractive power	3000 Nm 25 kN
-------------------------------------	------------------

Physical characteristics:

Installation space	100x91,5x100mm
Weight per pair	4 kg

